

Data sheet

ePole back-to-back short

Article no. i00021634

With the ePole back-to-back short, you can elegantly position up to two eBOX Wallboxes at any location.

The ePole back-to-back short is suitable for the installation of two eBOX smart, professional or touch including eCLICK - each with or without attached charging cable, including integrated cable holders.



Technical data

General informationen

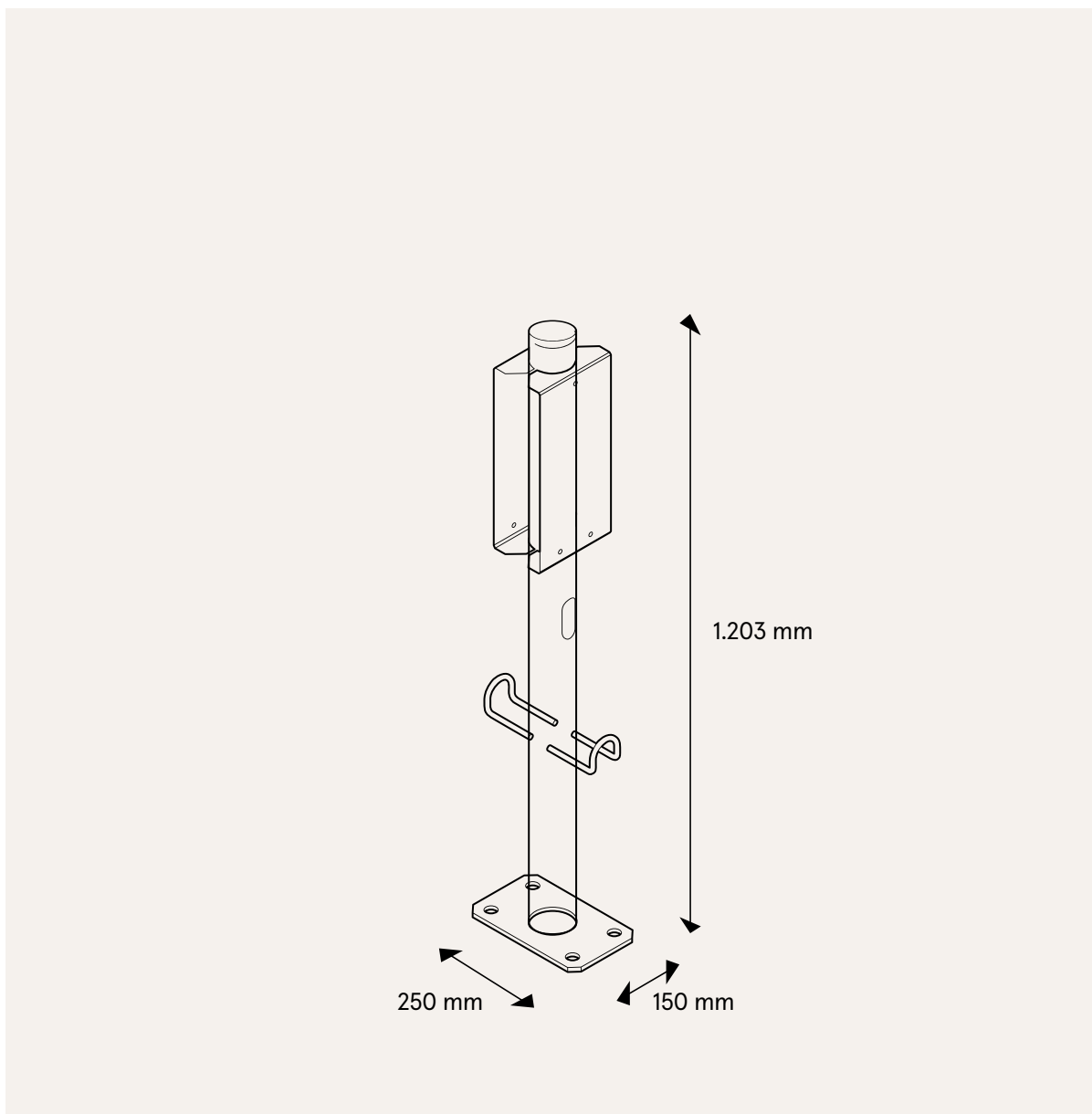
Product name	ePole back-to-back short
Compatible charging stations	eBOX product family
Version	For up to two eBOX Wallboxes
Scope of delivery	Pole including fixing material

Mechanical details

Mounting type	Free-standing on concrete base
Supply line	2-fold (one per charging point), Supply line only possible from below, Cable cross-section max. 5 x 10 mm ² per supply line
Protection	No electrical components / IP 55 with eBOX
Security	Optional anti-theft device by locking with padlock
Dimensions (H x W x D)	Base mounting: 1.203 x 150 x 250 mm
Weight	Approx. 12.5 kg

Technical data

Technical drawing





The power to move



Compleo Charging Solutions GmbH & Co. KG

Ezzestraße 8
44379 Dortmund
Germany

info@compleo-cs.com
compleo-charging.com

©2024 Compleo. All rights reserved.

This document may not be copied or reproduced in any form or by any means, in whole or in part, without written permission. All illustrations in this document serve only as examples and may differ from the delivered product. All information in this document is subject to change without notice and does not represent a commitment on the part of the manufacturer.

Technical changes and errors excepted.