

# Installation instructions

## Compleo ePOLE

for Compleo ePOLE and Compleo ePOLE back-to-back





# Contents

## 04 Safety information

Qualifications for electrical work 5

## 06 Product overview

Included in delivery 6

Compleo ePOLE – the product details 7

Specifications 7

## 08 Installation

Before installing 8

Choosing the site 9

Concrete foundation 9

Tools needed 10

Supply lines 10

Mounting 12

## 13 Next steps

Dismounting 15

Disposal 15

Imprint 15

# Safety information

## DANGER

**Danger to life and limb**



Warning of electrical voltage!

## Caution

**Significant injury hazard/material damage**



Caution: Significant risk of injury or material damage!

## Note

**Information on optimising the application**



Observing this information can improve the product's application.

These installation instructions are intended for specialised electricians. The ePOLE may be installed by qualified, specialised electricians only. Greater priority must be given to the accident prevention regulations, the safety rules applying nationwide to the specific operations, and the medical regulations at the workplace.

The product can afterwards be commissioned free of faults only after this document has been observed. These operating instructions constitute an integral part of the product and must be available to the fitters, also after the installation. So keep this document in a safe place, also after the installation.

Note in addition that safety is ensured only when the affected devices are stored, installed, used, serviced, and, if necessary, dismantled and disposed of properly as described in this document.

- Before installing and using this product, please read the provided documentation to familiarise yourself with the safety regulations and other information.
- This product has been developed

and tested in compliance with international standards.

- This product may be used exclusively for its intended purpose.
- This product may be installed by qualified personnel only.
- This product is maintenance-free and cannot be repaired on site.
- Incorrect installations may entail risks for the user.
- This product is used in combination with a power source.
- Make sure that the product is used under the correct operating conditions only.
- Ensure that the power supply of this product is installed properly on a power distribution point with residual current device (RCD protection) and over-current protection device (OCPD), as subsequently described in this document.
- The RCD and OCPD are to be selected in accordance with the electrical connection and installed in an upstream power distribution unit.
- Make sure that the fitted RCD is serviced at the intervals specified by the manufacturer.

**Before installing, check the specifications under the grid connection regulations, the technical connection requirements, and those issued by the utility and follow specifically the compulsory registration, approval, and listing procedures.**

**Product subject to modification without prior notice. This document might not contain the latest changes to the product's specifications or processes described herein.**

## Qualifications for electrical work

The specialised personnel performing or supervising the electrical installation and maintenance of the device must have read and must follow these installation instructions. Also, this personnel must have been assigned by the system owner.

### Germany

Applicable are the requirements under DGUV Regulation 3 or DIN VDE 0105-100:

- Technical training (electrical installations)
- Knowledge and experience in the assigned field of work
- Knowledge of the pertinent standards
- Ability to assess the assigned work
- Ability to recognise dangers

### Austria

Applicable are the requirements under ÖVE/ÖNORM EN 50110-1:

A specialised electrician is a person who has undergone suitable technical training and has the knowledge and experience to recognise and prevent the potential dangers of electricity.

### Switzerland

Applicable are the requirements under NIV, SR 734.27:

Section 2: Approval for installation work, Subsection 1: Compulsory approval, Art. 6

Persons assigned to install, modify, or repair electrical installations, hardwire electrical products to electrical installations, or disconnect, modify, or repair such connections must first be approved by the Inspectorate.

Subsection 2: General installation approval, Art. 7 – Approval for natural persons

Natural persons performing installation work on their own responsibility are granted general installation approval when:

- a) they have had special training;
- b) their training corresponds to the state of the art and their continued training is assured; and
- c) they can furnish verification that they obey the regulations under this ordinance.



#### Danger

Handling live components incorrectly may cause grievous injuries and death. So heed at all times the five safety rules under DIN VDE 0105:

- Disconnect from all power sources
- Lock against reactivation
- Verify zero voltage (all poles)
- Earth and short circuit
- Cover or partition-off adjoining live parts



#### Caution

Small parts are dangerous for children. Do not install in the presence of children.

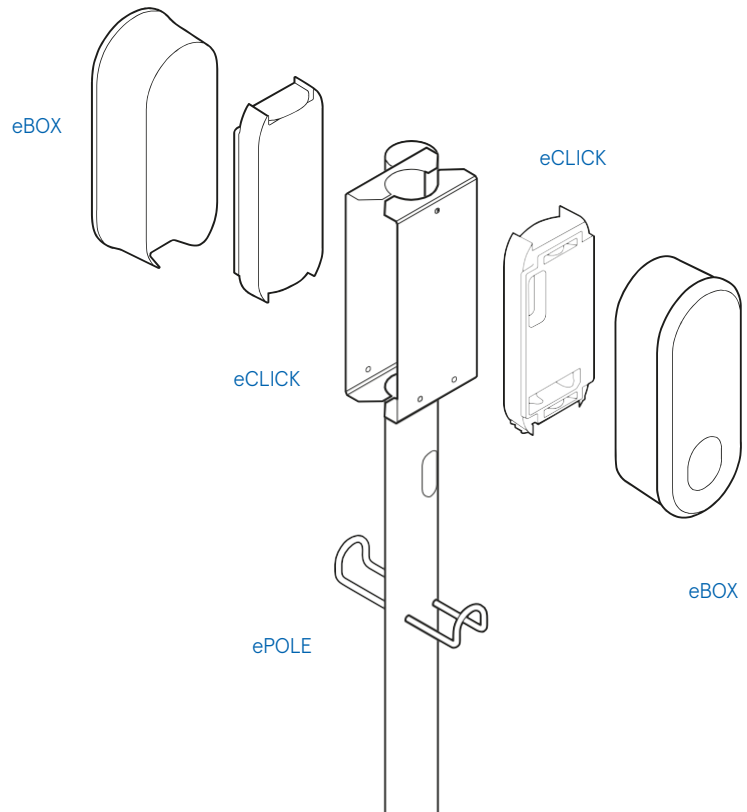


#### Caution

Ensure that all components are dry throughout the installation.

# Product overview

The ePOLEs serve as mounting stele for up to two eBOXes with one eCLICK, each. The modular concept of the overall product also allows for a separate installation of the ePOLEs in advance.



## Included in delivery

- 1 steel column with bottom plate and cable holder
- 1 or 2 cable holders
- 4 nuts with 4 washers and 4 caps

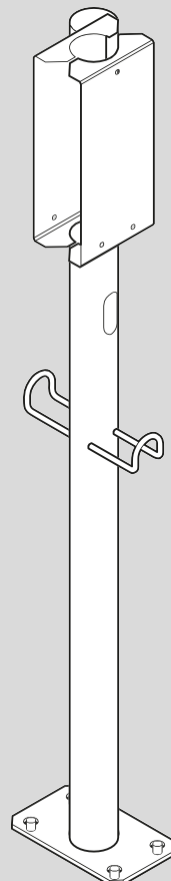
**Note:** To mount the eBOXes on the ePOLEs, you will need one or two eCLICKs, respectively; they are not a part of the ePOLEs.



### Caution

The contents of the delivery must be checked

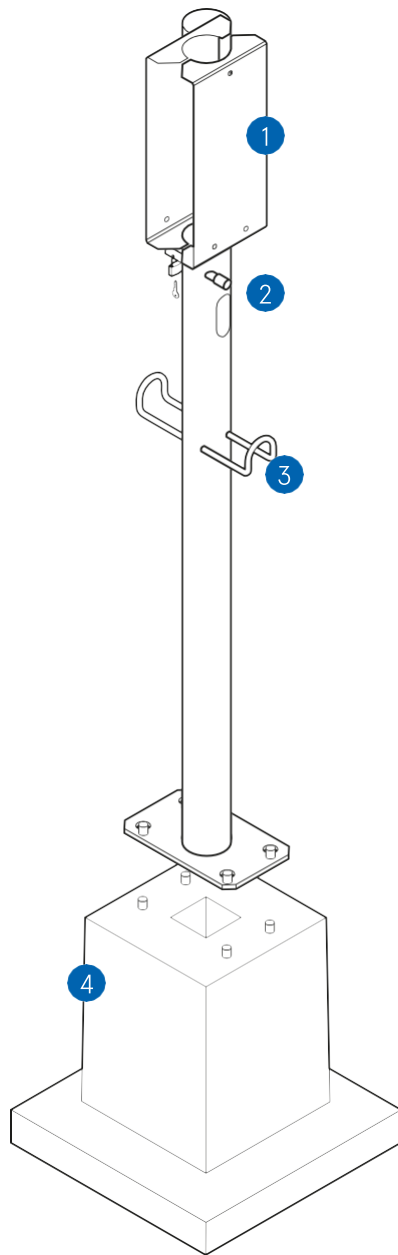
for completeness and intactness.



**The following products can be ordered separately:**

- LOCK ePOLE  
(padlock with steel bolt)
- Concrete foundation

## Compleo ePOLE – the product details



- 1 Steel column with welded-on bottom plate and welded-on cable holders
- 2 Steel bolt with padlock
- 3 Cable holders
- 4 Concrete foundation

### Specifications

Product	ePOLE, ePOLE back-to-back, ePOLE back-to-back short
Measurements H x W x D	ePOLE: 1,583 mm x 150 mm x 250 mm ePOLE back-to-back: 1,583 mm x 150 mm x 250 mm ePOLE back-to-back short: 1,203 mm x 150 mm x 250 mm
Installation type	Free-standing on concrete foundation
Weight	ePOLE: 14.1 kg, ePOLE back-to-back: 15.2 kg, ePOLE back-to-back short: 12.5 kg
IP	None (ePOLE does not contain any electrical components)
Operating temperature	-30 °C to +50 °C



# Installation

This chapter is split into installation, supply lines, assembly and next steps.



## **Danger**

Before installing, familiarise yourself with the safety instructions.



## **Caution**

For each charging point, each ePOLE must be protected in the distribution box with a residual current device and an over current protection device. Coordinate with the customer in advance regarding the desired power output and use the protective components matching the current (table on page 9).



## **Note**

The installation of the ePOLE is described in a separated document.

## **Before installing**

Check and ensure that the electrical installation intended for connection can supply the required electrical power.

For each charging point, each ePOLE must be protected, in the pre-installation, corresponding to the respective supply line, with an RCCB/RCD (residual-current circuit breaker/residual-current device) and an OCPD (over-current protection device).

No additional electrical devices may be integrated in any of these circuits.

Before installing, first consult the owner or operator of the system for the required output power, and fit adequate guards.



## Choosing the site

Typically, the location of the ePOLE has been agreed upon with the customer, in advance of the installation, upon the on-site inspection.

For a smooth flow of the installation, the following prep work must be performed.



### **Danger**

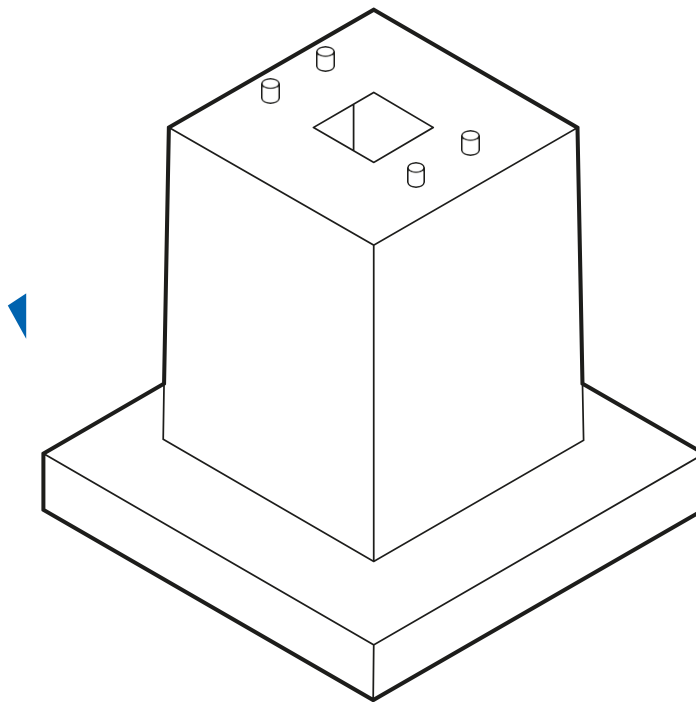
Do not install in and around ex-zones!

## Concrete foundation

The ePOLE can be mounted on a concrete foundation.

### **Setting the concrete foundation**

The fitting concrete foundation can be ordered from Compleo (article number 10122614). This concrete foundation is equipped with four threaded bolts. The ePOLE is mounted on the concrete foundation by means of the base plate included in the scope of delivery.

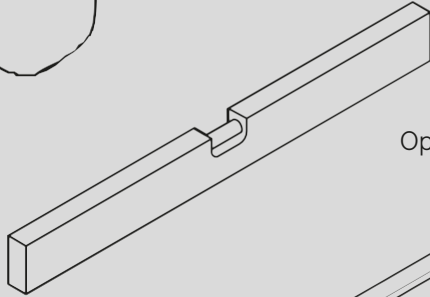


Direction of the charging point when mounting an ePOLE back-to-back

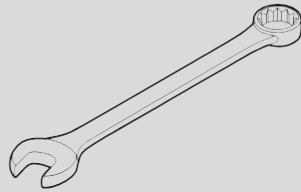
(Battery-operated) screwdriver



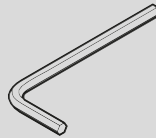
Spirit level



Open-ended spanner



Hex key / Allen wrench (3 mm)



## Tools needed

The following tools are needed to assemble the ePOLE:

- Open-ended spanner 24 mm
- Spirit level
- (Battery-operated) screwdriver
- Hex key / Allen wrench (3 mm)

## Supply lines

Each eCLICK must be equipped with a separated residual-current device and an over-current protection device in the sub-distribution. This means that in the case of the ePOLE for two eBOXes two electrical supply lines lead through the ePOLE.



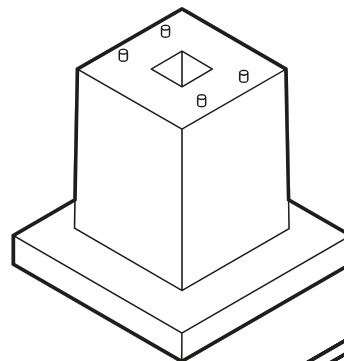
### Danger

There is a danger of electric shock!

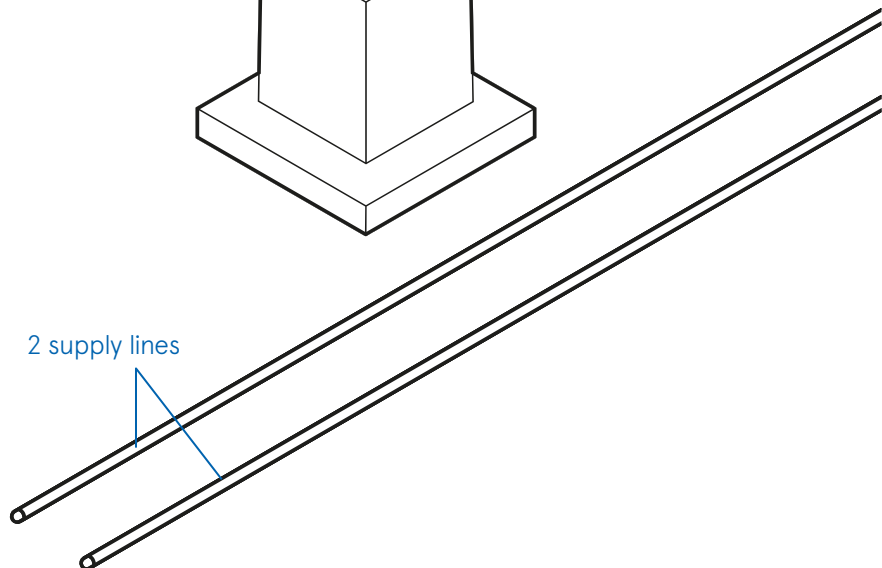


### Danger

Make sure that the fusing for the circuits has been disconnected and there is no voltage across the fitted components.



2 supply lines

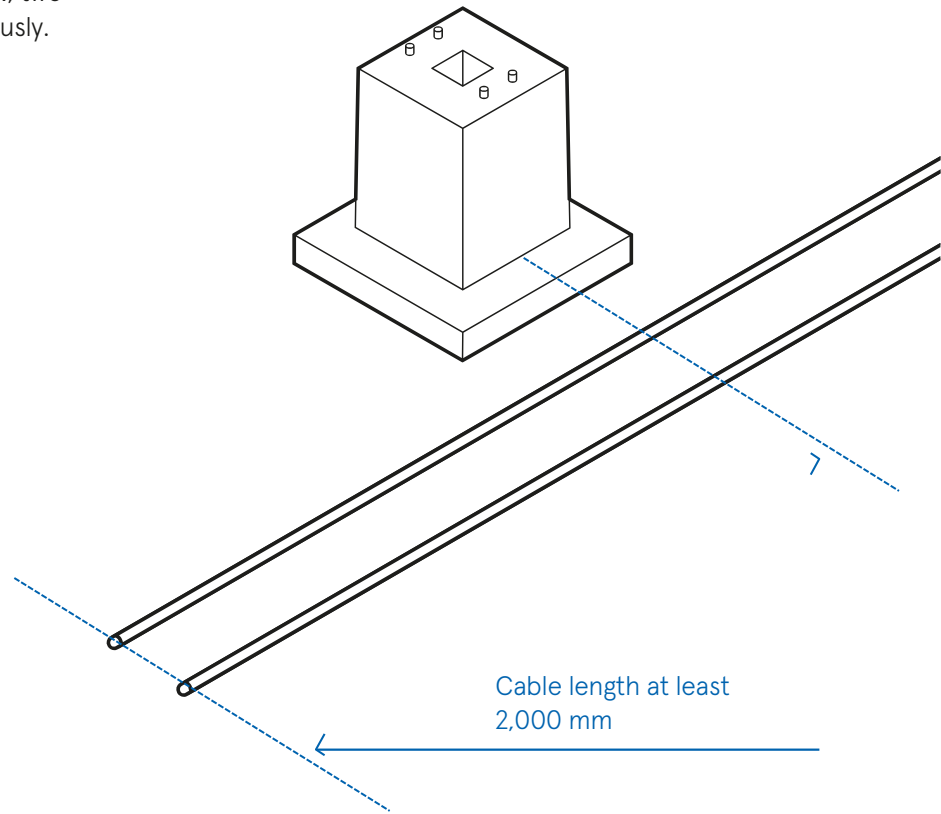


Lead the two electrical supply lines to the installation site. There, keep at least 2,000 mm cable length available at the installation point in order to be able to later feed the feeds through the ePOLE and be able to connect the eCLICKs.

If the two eBOXes are to be connected via LAN, two separate Ethernet cables must be laid analogously.

**Danger**

Make sure that the electrical supply lines are voltage-free during the entire installation.

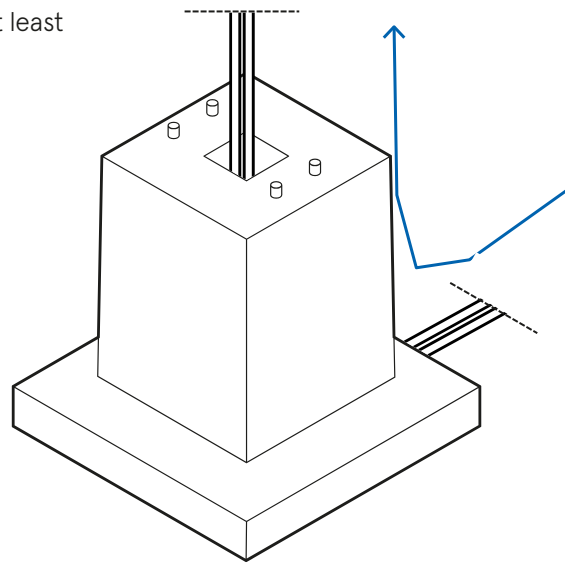


# Mounting

Before assembling the ePOLE, obtain an overview of the steps required.

## 01

Feed the electrical supply lines and, where applicable, the Ethernet cables through the concrete foundation. At the top of the foundation, at least two metres of each supply line should still be available to you.



## 02

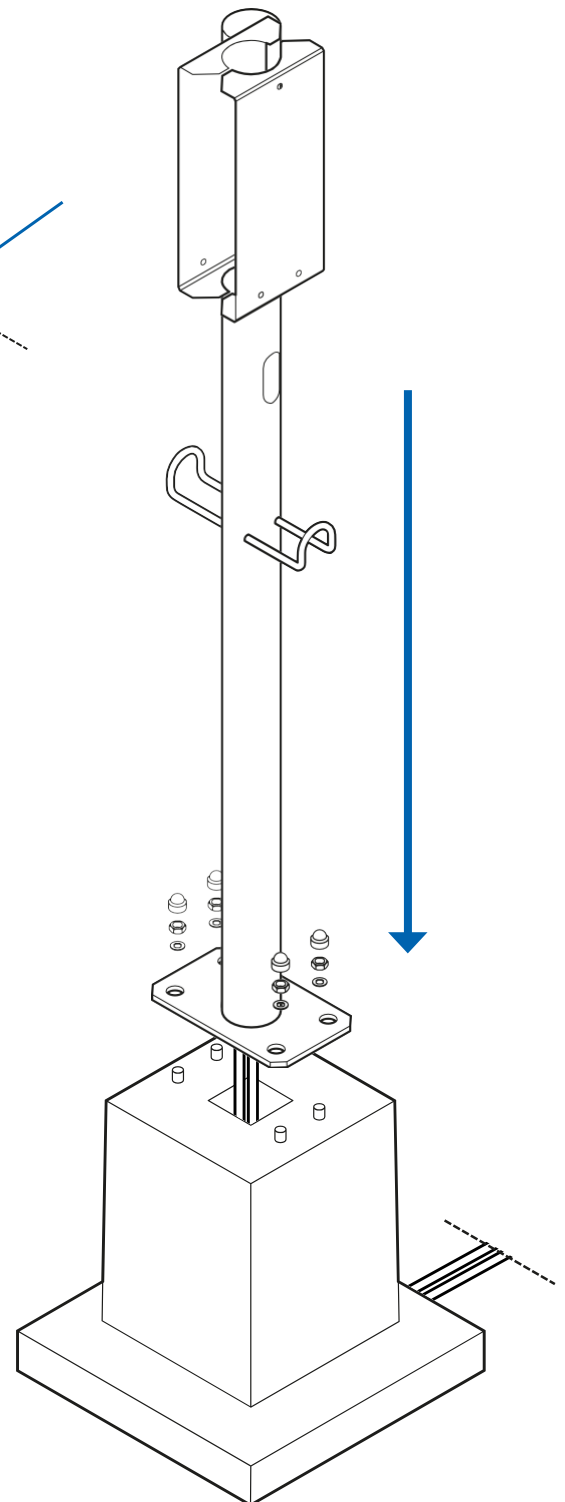
Place the steel column on the concrete foundation and bolt the base plate onto the bolts of the concrete foundation with the help of the washers, nuts and caps that are included in the scope of delivery.



**Caution**  
Tighten the nuts with a torque of at least 35 Nm.

## 03

In the meantime, connect the electrical supply lines and, where applicable, the Ethernet cables with cable ties to the top end of the steel column.



# Next steps

Subsequent to the assembly of the ePOLE:

- eCLICKs and eBOXes can be installed immediately **or**
- eCLICKs and eBOXes later.

## A) Installing eCLICKs and eBOXes immediately

If the eCLICKs and eBOXes are available, install them immediately.



### **Danger**

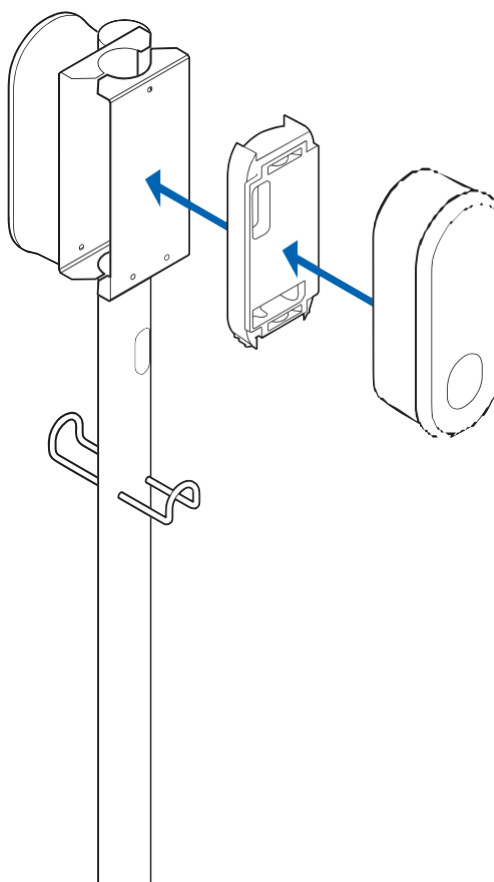
There is a danger of electric shock!

### **01**

The eCLICKs can be installed in accordance with the included eCLICK installation instructions. The eCLICKs are bolted onto the mounting plates of the ePOLEs.

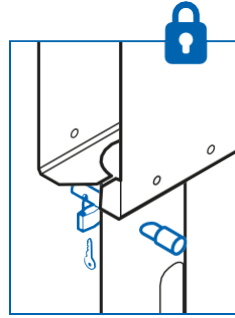
### **02**

Click in the two eBOXes.



### 03

Optional (only if LOCK eBOX was ordered): Feed the steel bolt through the designated openings of the steel and lock the lock so that the steel bolt cannot be pulled out.



This way, the locking bar of the eCLICKs can no longer be unlocked to release the eBOXes.

### 04

Hand the key to the owner or operator of the ePOLE.

### 05

Commission the eBOXes in accordance with the included installation instructions.

## B) Installing eCLICKs and eBOXes later

If no eCLICKs are available, make sure that the supply lines are permanently in a voltage-free state.



#### **Danger**

There is a danger of electric shock!

### 01

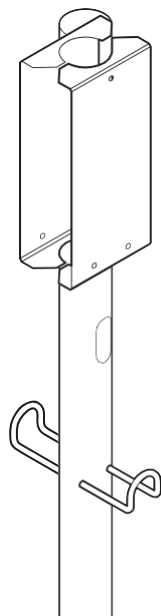
If no eCLICKs are available, yet, fixate the supply lines such that they are easily accessible for a later installation of the eCLICKs.

### 02

Hand the steel board, lock and key to the owner or operator of the ePOLE.

### 03

Leave the electrical supply line voltage-free so that the supply lines are not provided with voltage!





## Dismounting

The de-installation of the eCLICKs must be performed in the voltage-free state by an electrician.

For de-installation of the ePOLE, set the eBOXes and eCLICKs voltage-free first. Leave the lines voltage-free for the whole duration of the de-installation.

The de-installation of the eCLICKs and of the eBOXes is described in the eCLICK installation instructions.

Once you have de-installed the eCLICKs and the eBOXes in accordance with the eCLICK installation instructions, you can unbolt the steel column from the concrete foundation.

Ensure that the electrical lines are also voltage-free after de-installation of the ePOLE.

## Disposal

Please dispose of the steel and accessory parts in a professional manner.

## Imprint

Copyright © 2023 Compleo Charging Solutions GmbH & Co. KG. All rights reserved. This document is intellectual property right- and copyright-protected. No part hereof may be edited, duplicated, or published in any manner purposing other than the proper installation of the ePOLE without express written permission of Compleo Charging Solutions GmbH & Co. KG.

### **Compleo Charging Solutions GmbH & Co. KG**

Ezzestraße 8  
44379 Dortmund,  
Germany

As of: 08/2023  
Document Center:



**Compleo Charging Solutions GmbH & Co. KG**

Ezzestraße 8  
44379 Dortmund | Germany  
servicedesk@compleo-cs.com  
compleo-charging.com

**Sales partner UK**

Compleo Charging Solutions UK Ltd.  
The Lambourn | Wyndyke Furlong  
Abingdon | OX14 1UJ | Great Britain